

# LM78LXX Series

## 3-Terminal Positive Regulators

### General Description

The LM78LXX series of three terminal positive regulators is available with several fixed output voltages making them useful in a wide range of applications. When used as a zener diode/resistor combination replacement, the LM78LXX usually results in an effective output impedance improvement of two orders of magnitude, and lower quiescent current. These regulators can provide local on card regulation, eliminating the distribution problems associated with single point regulation. The voltages available allow the LM78LXX to be used in logic systems, instrumentation, HiFi, and other solid state electronic equipment.

The LM78LXX is available in the plastic TO-92 (Z) package, the plastic SO-8 (M) package and a chip sized package (8-Bump micro SMD) using National's micro SMD package technology. With adequate heat sinking the regulator can deliver 100mA output current. Current limiting is included to limit the peak output current to a safe value. Safe area protection for the output transistors is provided to limit inter-

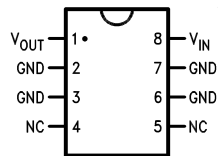
nal power dissipation. If internal power dissipation becomes too high for the heat sinking provided, the thermal shutdown circuit takes over preventing the IC from overheating.

### Features

- LM78L05 in micro SMD package
- Output voltage tolerances of  $\pm 5\%$  over the temperature range
- Output current of 100mA
- Internal thermal overload protection
- Output transistor safe area protection
- Internal short circuit current limit
- Available in plastic TO-92 and plastic SO-8 low profile packages
- No external components
- Output voltages of 5.0V, 6.2V, 8.2V, 9.0V, 12V, 15V
- See AN-1112 for micro SMD considerations

### Connection Diagrams

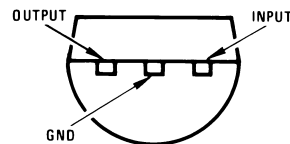
**SO-8 Plastic (M)  
(Narrow Body)**



00774402

**Top View**

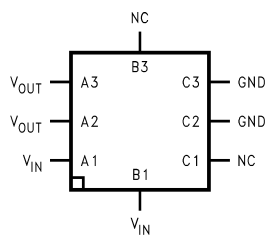
**(TO-92)  
Plastic Package (Z)**



00774403

**Bottom View**

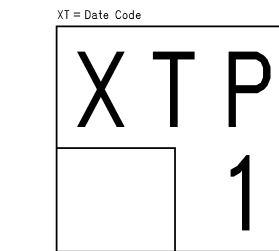
**8-Bump micro SMD**



00774424

**Top View  
(Bump Side Down)**

**micro SMD Marking Orientation**



Pin A1 Corner  
Pin A1 is identified by lower left corner with respect to the text.

00774433

**Top View**

## Ordering Information

| Package     | Order Number | Output Voltage | NSC Drawing | Supplied As  |
|-------------|--------------|----------------|-------------|--------------|
| microSMD    | LM78L05IBP   | 5V             | BPA08AAB    | Reel of 250  |
|             | LM78L05IBPX  | 5V             | BPA08AAB    | Reel of 3000 |
|             | LM78L09ITP   | 9V             | TPA08AAA    | Reel of 250  |
|             | LM78L09ITPX  | 9V             | TPA08AAA    | Reel of 3000 |
| SOIC Narrow | LM78L05ACM   | 5V             | M08A        | Rail of 95   |
|             | LM78L05ACMX  | 5V             | M08A        | Reel of 2500 |
|             | LM78L12ACM   | 12V            | M08A        | Rail of 95   |
|             | LM78L12ACMX  | 12V            | M08A        | Reel of 2500 |
|             | LM78L15ACM   | 15V            | M08A        | Rail of 95   |
|             | LM78L15ACMX  | 15V            | M08A        | Reel of 2500 |
| TO-92       | LM78L05ACZ   | 5V             | Z03A        | Box of 1800  |
|             | LM78L62ACZ   | 6.2V           | Z03A        | Box of 1800  |
|             | LM78L82ACZ   | 8.2V           | Z03A        | Box of 1800  |
|             | LM78L09ACZ   | 9V             | Z03A        | Box of 1800  |
|             | LM78L12ACZ   | 12V            | Z03A        | Box of 1800  |
|             | LM78L15ACZ   | 15V            | Z03A        | Box of 1800  |

**Absolute Maximum Ratings** (Note 1)

If Military/Aerospace specified devices are required, please contact the National Semiconductor Sales Office/Distributors for availability and specifications.

|                             |                    |
|-----------------------------|--------------------|
| Power Dissipation (Note 5)  | Internally Limited |
| Input Voltage               | 35V                |
| Storage Temperature         | -65°C to +150°C    |
| ESD Susceptibility (Note 2) | 1kV                |

Operating Junction Temperature

|             |               |
|-------------|---------------|
| SO-8, TO-92 | 0°C to 125°C  |
| micro SMD   | -40°C to 85°C |

Soldering Information

|                                  |                   |
|----------------------------------|-------------------|
| Infrared or Convection (20 sec.) | 235°C             |
| Wave Soldering (10 sec.)         | 260°C (lead time) |

**LM78LXX Electrical Characteristics** Limits in standard typeface are for  $T_J = 25^\circ\text{C}$ , **Bold typeface applies over  $0^\circ\text{C}$  to  $125^\circ\text{C}$  for SO-8 and TO-92 packages, and  $-40^\circ\text{C}$  to  $85^\circ\text{C}$  for micro SMD package.** Limits are guaranteed by production testing or correlation techniques using standard Statistical Quality Control (SQC) methods. Unless otherwise specified:  $I_O = 40\text{mA}$ ,  $C_I = 0.33\mu\text{F}$ ,  $C_O = 0.1\mu\text{F}$ .

**LM78L05**Unless otherwise specified,  $V_{IN} = 10\text{V}$ 

| Symbol                                 | Parameter   | Conditions  | Min         | Typ   | Max                      | Units                      |
|--|---|---|-------------|-------|--------------------------|----------------------------|
| $V_O$                                  | Output Voltage  |   | 4.8         | 5     | 5.2                      | V                          |
|  |   | $7\text{V} \leq V_{IN} \leq 20\text{V}$<br>$1\text{mA} \leq I_O \leq 40\text{mA}$<br>(Note 3) | <b>4.75</b> |       | <b>5.25</b>              |                            |
|  |   | $1\text{mA} \leq I_O \leq 70\text{mA}$<br>(Note 3)  | <b>4.75</b> |       | <b>5.25</b>              |                            |
| $\Delta V_O$                           | Line Regulation   | $7\text{V} \leq V_{IN} \leq 20\text{V}$   |             | 18    | 75                       | mV                         |
|  |   | $8\text{V} \leq V_{IN} \leq 20\text{V}$   |             | 10    | 54                       |                            |
| $\Delta V_O$                           | Load Regulation   | $1\text{mA} \leq I_O \leq 100\text{mA}$   |             | 20    | 60                       | mV                         |
|  |   | $1\text{mA} \leq I_O \leq 40\text{mA}$  |             | 5     | 30                       |                            |
| $I_Q$                                  | Quiescent Current   |   |             | 3     | 5                        | mA                         |
| $\Delta I_Q$                           | Quiescent Current Change  | $8\text{V} \leq V_{IN} \leq 20\text{V}$<br>$1\text{mA} \leq I_O \leq 40\text{mA}$             |             |       | <b>1.0</b><br><b>0.1</b> |                            |
| $V_n$                                  | Output Noise Voltage  | $f = 10\text{ Hz to } 100\text{ kHz}$<br>(Note 4)   |             | 40    |                          | $\mu\text{V}$              |
| $\frac{\Delta V_{IN}}{\Delta V_{OUT}}$ | Ripple Rejection  | $f = 120\text{ Hz}$<br>$8\text{V} \leq V_{IN} \leq 16\text{V}$                                | 47          | 62    |                          | dB                         |
| $I_{PK}$                               | Peak Output Current   |   |             | 140   |                          | mA                         |
| $\frac{\Delta V_O}{\Delta T}$          | Average Output Voltage Tempco                                       | $I_O = 5\text{mA}$  |             | -0.65 |                          | $\text{mV}/^\circ\text{C}$ |
| $V_{IN}(\text{Min})$                   | Minimum Value of Input Voltage Required to Maintain Line Regulation |   |             | 6.7   | 7                        | V                          |
| $\theta_{JA}$                          | Thermal Resistance<br>(8-Bump micro SMD)                            |   |             | 230.9 |                          | $^\circ\text{C}/\text{W}$  |

**LM78L62AC**Unless otherwise specified,  $V_{IN} = 12\text{V}$ 

| Symbol | Parameter      | Conditions  | Min        | Typ | Max        | Units |
|--------|----------------|---|------------|-----|------------|-------|
| $V_O$  | Output Voltage |   | 5.95       | 6.2 | 6.45       | V     |
|        |                | $8.5\text{V} \leq V_{IN} \leq 20\text{V}$<br>$1\text{mA} \leq I_O \leq 40\text{mA}$<br>(Note 3) | <b>5.9</b> |     | <b>6.5</b> |       |
|        |                | $1\text{mA} \leq I_O \leq 70\text{mA}$<br>(Note 3)  | <b>5.9</b> |     | <b>6.5</b> |       |

**LM78LXX Electrical Characteristics** Limits in standard typeface are for  $T_J = 25^\circ\text{C}$ , **Bold typeface** applies over  $0^\circ\text{C}$  to  $125^\circ\text{C}$  for SO-8 and TO-92 packages, and  $-40^\circ\text{C}$  to  $85^\circ\text{C}$  for micro SMD package. Limits are guaranteed by production testing or correlation techniques using standard Statistical Quality Control (SQC) methods. Unless otherwise specified:  $I_O = 40\text{mA}$ ,  $C_I = 0.33\mu\text{F}$ ,  $C_O = 0.1\mu\text{F}$ . (Continued)

### LM78L62AC (Continued)

Unless otherwise specified,  $V_{IN} = 12\text{V}$

| Symbol                                 | Parameter   | Conditions  | Min | Typ   | Max        | Units                      |
|--|---|---|-----|-------|------------|----------------------------|
| $\Delta V_O$                           | Line Regulation   | $8.5\text{V} \leq V_{IN} \leq 20\text{V}$                       |     | 65    | 175        | mV                         |
|  |   | $9\text{V} \leq V_{IN} \leq 20\text{V}$                         |     | 55    | 125        |                            |
| $\Delta V_O$                           | Load Regulation   | $1\text{mA} \leq I_O \leq 100\text{mA}$                         |     | 13    | 80         | mV                         |
|  |   | $1\text{mA} \leq I_O \leq 40\text{mA}$                          |     | 6     | 40         |                            |
| $I_Q$                                  | Quiescent Current   |   |     | 2     | 5.5        | mA                         |
| $\Delta I_Q$                           | Quiescent Current Change  | $8\text{V} \leq V_{IN} \leq 20\text{V}$                         |     |       | <b>1.5</b> |                            |
|  |   | $1\text{mA} \leq I_O \leq 40\text{mA}$                          |     |       | <b>0.1</b> |                            |
| $V_n$                                  | Output Noise Voltage  | $f = 10\text{ Hz to } 100\text{ kHz}$<br>(Note 4)               |     | 50    |            | $\mu\text{V}$              |
| $\frac{\Delta V_{IN}}{\Delta V_{OUT}}$ | Ripple Rejection  | $f = 120\text{ Hz}$<br>$10\text{V} \leq V_{IN} \leq 20\text{V}$ | 40  | 46    |            | dB                         |
| $I_{PK}$                               | Peak Output Current   |   |     | 140   |            | mA                         |
| $\frac{\Delta V_O}{\Delta T}$          | Average Output Voltage Tempco                                       | $I_O = 5\text{mA}$  |     | -0.75 |            | $\text{mV}/^\circ\text{C}$ |
| $V_{IN}(\text{Min})$                   | Minimum Value of Input Voltage Required to Maintain Line Regulation |   |     | 7.9   |            | V                          |

### LM78L82AC

Unless otherwise specified,  $V_{IN} = 14\text{V}$

| Symbol                                 | Parameter   | Conditions   | Min        | Typ  | Max        | Units                      |
|--|---|--|------------|------|------------|----------------------------|
| $V_O$                                  | Output Voltage  |  | 7.87       | 8.2  | 8.53       | V                          |
|  |   | $11\text{V} \leq V_{IN} \leq 23\text{V}$<br>$1\text{mA} \leq I_O \leq 40\text{mA}$<br>(Note 3) | <b>7.8</b> |      | <b>8.6</b> |                            |
|  |   | $1\text{mA} \leq I_O \leq 70\text{mA}$<br>(Note 3)   | <b>7.8</b> |      | <b>8.6</b> |                            |
| $\Delta V_O$                           | Line Regulation   | $11\text{V} \leq V_{IN} \leq 23\text{V}$   |            | 80   | 175        | mV                         |
|  |   | $12\text{V} \leq V_{IN} \leq 23\text{V}$   |            | 70   | 125        |                            |
| $\Delta V_O$                           | Load Regulation   | $1\text{mA} \leq I_O \leq 100\text{mA}$  |            | 15   | 80         | mV                         |
|  |   | $1\text{mA} \leq I_O \leq 40\text{mA}$   |            | 8    | 40         |                            |
| $I_Q$                                  | Quiescent Current   |  |            | 2    | 5.5        | mA                         |
| $\Delta I_Q$                           | Quiescent Current Change  | $12\text{V} \leq V_{IN} \leq 23\text{V}$   |            |      | <b>1.5</b> |                            |
|  |   | $1\text{mA} \leq I_O \leq 40\text{mA}$   |            |      | <b>0.1</b> |                            |
| $V_n$                                  | Output Noise Voltage  | $f = 10\text{ Hz to } 100\text{ kHz}$<br>(Note 4)  |            | 60   |            | $\mu\text{V}$              |
| $\frac{\Delta V_{IN}}{\Delta V_{OUT}}$ | Ripple Rejection  | $f = 120\text{ Hz}$<br>$12\text{V} \leq V_{IN} \leq 22\text{V}$                                | 39         | 45   |            | dB                         |
| $I_{PK}$                               | Peak Output Current   |  |            | 140  |            | mA                         |
| $\frac{\Delta V_O}{\Delta T}$          | Average Output Voltage Tempco                                       | $I_O = 5\text{mA}$   |            | -0.8 |            | $\text{mV}/^\circ\text{C}$ |
| $V_{IN}(\text{Min})$                   | Minimum Value of Input Voltage Required to Maintain Line Regulation |  |            | 9.9  |            | V                          |

**LM78LXX Electrical Characteristics** Limits in standard typeface are for  $T_J = 25^\circ\text{C}$ , **Bold typeface** applies over  $0^\circ\text{C}$  to  $125^\circ\text{C}$  for SO-8 and TO-92 packages, and  $-40^\circ\text{C}$  to  $85^\circ\text{C}$  for micro SMD package. Limits are guaranteed by production testing or correlation techniques using standard Statistical Quality Control (SQC) methods. Unless otherwise specified:  $I_O = 40\text{mA}$ ,  $C_I = 0.33\mu\text{F}$ ,  $C_O = 0.1\mu\text{F}$ . (Continued)

### LM78L09AC

Unless otherwise specified,  $V_{IN} = 15\text{V}$

| Symbol                                 | Parameter   | Conditions   | Min         | Typ  | Max                      | Units                      |
|--|---|--|-------------|------|--------------------------|----------------------------|
| $V_O$                                  | Output Voltage  |  | 8.64        | 9.0  | 9.36                     | V                          |
|  |   | $11.5\text{V} \leq V_{IN} \leq 24\text{V}$<br>$1\text{mA} \leq I_O \leq 40\text{mA}$<br>(Note 3) | <b>8.55</b> |      | <b>9.45</b>              |                            |
|  |   | $1\text{mA} \leq I_O \leq 70\text{mA}$<br>(Note 3)   | <b>8.55</b> |      | <b>9.45</b>              |                            |
| $\Delta V_O$                           | Line Regulation   | $11.5\text{V} \leq V_{IN} \leq 24\text{V}$   |             | 100  | 200                      | mV                         |
|  |   | $13\text{V} \leq V_{IN} \leq 24\text{V}$   |             | 90   | 150                      |                            |
| $\Delta V_O$                           | Load Regulation   | $1\text{mA} \leq I_O \leq 100\text{mA}$  |             | 20   | 90                       | mV                         |
|  |   | $1\text{mA} \leq I_O \leq 40\text{mA}$   |             | 10   | 45                       |                            |
| $I_Q$                                  | Quiescent Current   |  |             | 2    | 5.5                      | mA                         |
| $\Delta I_Q$                           | Quiescent Current Change  | $11.5\text{V} \leq V_{IN} \leq 24\text{V}$<br>$1\text{mA} \leq I_O \leq 40\text{mA}$             |             |      | <b>1.5</b><br><b>0.1</b> |                            |
| $V_n$                                  | Output Noise Voltage  |  |             | 70   |                          | $\mu\text{V}$              |
| $\frac{\Delta V_{IN}}{\Delta V_{OUT}}$ | Ripple Rejection  | $f = 120\text{ Hz}$<br>$15\text{V} \leq V_{IN} \leq 25\text{V}$                                  | 38          | 44   |                          | dB                         |
| $I_{PK}$                               | Peak Output Current   |  |             | 140  |                          | mA                         |
| $\frac{\Delta V_O}{\Delta T}$          | Average Output Voltage Tempco                                       | $I_O = 5\text{mA}$   |             | -0.9 |                          | $\text{mV}/^\circ\text{C}$ |
| $V_{IN}(\text{Min})$                   | Minimum Value of Input Voltage Required to Maintain Line Regulation |  |             | 10.7 |                          | V                          |

### LM78L12AC

Unless otherwise specified,  $V_{IN} = 19\text{V}$

| Symbol                                 | Parameter                     | Conditions   | Min         | Typ  | Max                    | Units                      |
|--|-------------------------------|--|-------------|------|------------------------|----------------------------|
| $V_O$                                  | Output Voltage                |  | 11.5        | 12   | 12.5                   | V                          |
|  |                               | $14.5\text{V} \leq V_{IN} \leq 27\text{V}$<br>$1\text{mA} \leq I_O \leq 40\text{mA}$<br>(Note 3) | <b>11.4</b> |      | <b>12.6</b>            |                            |
|  |                               | $1\text{mA} \leq I_O \leq 70\text{mA}$<br>(Note 3)   | <b>11.4</b> |      | <b>12.6</b>            |                            |
| $\Delta V_O$                           | Line Regulation               | $14.5\text{V} \leq V_{IN} \leq 27\text{V}$   |             | 30   | 180                    | mV                         |
|  |                               | $16\text{V} \leq V_{IN} \leq 27\text{V}$   |             | 20   | 110                    |                            |
| $\Delta V_O$                           | Load Regulation               | $1\text{mA} \leq I_O \leq 100\text{mA}$  |             | 30   | 100                    | mV                         |
|  |                               | $1\text{mA} \leq I_O \leq 40\text{mA}$   |             | 10   | 50                     |                            |
| $I_Q$                                  | Quiescent Current             |  |             | 3    | 5                      | mA                         |
| $\Delta I_Q$                           | Quiescent Current Change      | $16\text{V} \leq V_{IN} \leq 27\text{V}$<br>$1\text{mA} \leq I_O \leq 40\text{mA}$               |             |      | <b>1</b><br><b>0.1</b> |                            |
| $V_n$                                  | Output Noise Voltage          |  |             | 80   |                        | $\mu\text{V}$              |
| $\frac{\Delta V_{IN}}{\Delta V_{OUT}}$ | Ripple Rejection              | $f = 120\text{ Hz}$<br>$15\text{V} \leq V_{IN} \leq 25$  | 40          | 54   |                        | dB                         |
| $I_{PK}$                               | Peak Output Current           |  |             | 140  |                        | mA                         |
| $\frac{\Delta V_O}{\Delta T}$          | Average Output Voltage Tempco | $I_O = 5\text{mA}$   |             | -1.0 |                        | $\text{mV}/^\circ\text{C}$ |

**LM78LXX Electrical Characteristics** Limits in standard typeface are for  $T_J = 25^\circ\text{C}$ , **Bold typeface** applies over  $0^\circ\text{C}$  to  $125^\circ\text{C}$  for SO-8 and TO-92 packages, and  $-40^\circ\text{C}$  to  $85^\circ\text{C}$  for micro SMD package. Limits are guaranteed by production testing or correlation techniques using standard Statistical Quality Control (SQC) methods. Unless otherwise specified:  $I_O = 40\text{mA}$ ,  $C_I = 0.33\mu\text{F}$ ,  $C_O = 0.1\mu\text{F}$ . (Continued)

### LM78L12AC (Continued)

Unless otherwise specified,  $V_{IN} = 19\text{V}$

| Symbol         | Parameter   | Conditions | Min | Typ  | Max  | Units |
|----------------|---|------------|-----|------|------|-------|
| $V_{IN}$ (Min) | Minimum Value of Input Voltage Required to Maintain Line Regulation |            |     | 13.7 | 14.5 | V     |

### LM78L15AC

Unless otherwise specified,  $V_{IN} = 23\text{V}$

| Symbol                                 | Parameter   | Conditions   | Min          | Typ  | Max          | Units                      |
|--|---|--|--------------|------|--------------|----------------------------|
| $V_O$                                  | Output Voltage  |  | 14.4         | 15.0 | 15.6         | V                          |
|  |   | $17.5\text{V} \leq V_{IN} \leq 30\text{V}$<br>$1\text{mA} \leq I_O \leq 40\text{mA}$<br>(Note 3) | <b>14.25</b> |      | <b>15.75</b> |                            |
|  |   | $1\text{mA} \leq I_O \leq 70\text{mA}$<br>(Note 3)   | <b>14.25</b> |      | <b>15.75</b> |                            |
| $\Delta V_O$                           | Line Regulation   | $17.5\text{V} \leq V_{IN} \leq 30\text{V}$   |              | 37   | 250          | mV                         |
|  |   | $20\text{V} \leq V_{IN} \leq 30\text{V}$   |              | 25   | 140          |                            |
| $\Delta V_O$                           | Load Regulation   | $1\text{mA} \leq I_O \leq 100\text{mA}$  |              | 35   | 150          | mV                         |
|  |   | $1\text{mA} \leq I_O \leq 40\text{mA}$   |              | 12   | 75           |                            |
| $I_Q$                                  | Quiescent Current   |  |              | 3    | 5            | mA                         |
| $\Delta I_Q$                           | Quiescent Current Change  | $20\text{V} \leq V_{IN} \leq 30\text{V}$   |              |      | <b>1</b>     |                            |
|  |   | $1\text{mA} \leq I_O \leq 40\text{mA}$   |              |      | <b>0.1</b>   |                            |
| $V_n$                                  | Output Noise Voltage  |  |              | 90   |              | $\mu\text{V}$              |
| $\frac{\Delta V_{IN}}{\Delta V_{OUT}}$ | Ripple Rejection  | $f = 120\text{Hz}$<br>$18.5\text{V} \leq V_{IN} \leq 28.5\text{V}$                               | 37           | 51   |              | dB                         |
| $I_{PK}$                               | Peak Output Current   |  |              | 140  |              | mA                         |
| $\frac{\Delta V_O}{\Delta T}$          | Average Output Voltage Tempco                                       | $I_O = 5\text{mA}$   |              | -1.3 |              | $\text{mV}/^\circ\text{C}$ |
| $V_{IN}$ (Min)                         | Minimum Value of Input Voltage Required to Maintain Line Regulation |  |              | 16.7 | 17.5         | V                          |

**Note 1:** Absolute Maximum Ratings indicate limits beyond which damage to the device may occur. Electrical specifications do not apply when operating the device outside of its stated operating conditions.

**Note 2:** Human body model, 1.5 k $\Omega$  in series with 100pF.

**Note 3:** Power dissipation  $\leq 0.75\text{W}$ .

**Note 4:** Recommended minimum load capacitance of 0.01 $\mu\text{F}$  to limit high frequency noise.

**Note 5:** Typical thermal resistance values for the packages are:

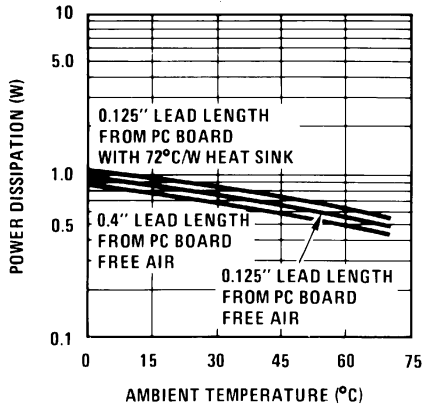
**Z** Package:  $\theta_{JC} = 60^\circ\text{C}/\text{W}$ ,  $\theta_{JA} = 230^\circ\text{C}/\text{W}$

**M** Package:  $\theta_{JA} = 180^\circ\text{C}/\text{W}$

**micro SMD** Package:  $\theta_{JA} = 230.9^\circ\text{C}/\text{W}$

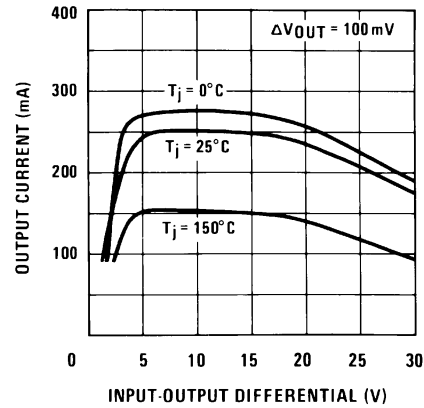
# Typical Performance Characteristics

## Maximum Average Power Dissipation (Z Package)



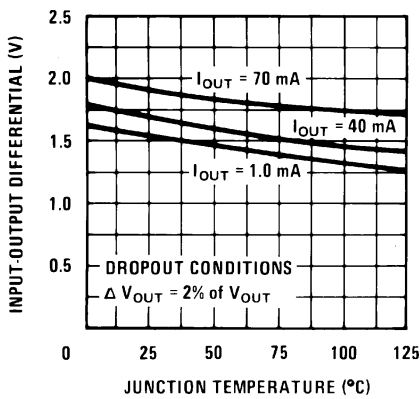
00774414

## Peak Output Current



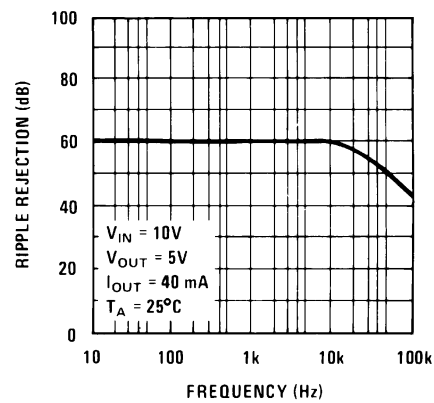
00774416

## Dropout Voltage



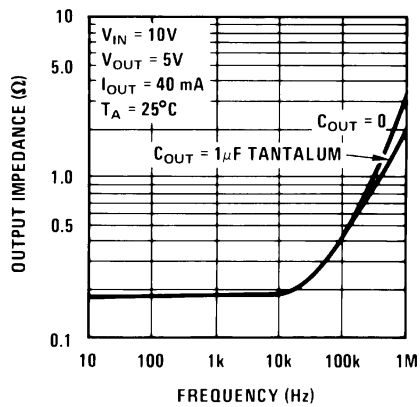
00774417

## Ripple Rejection



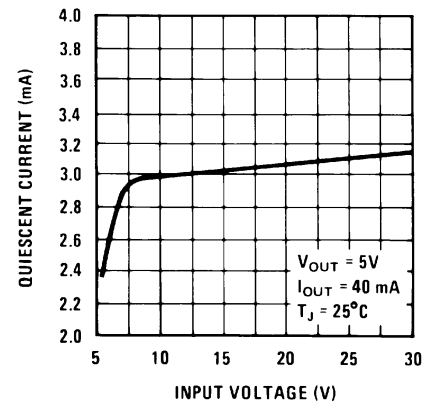
00774418

## Output Impedance



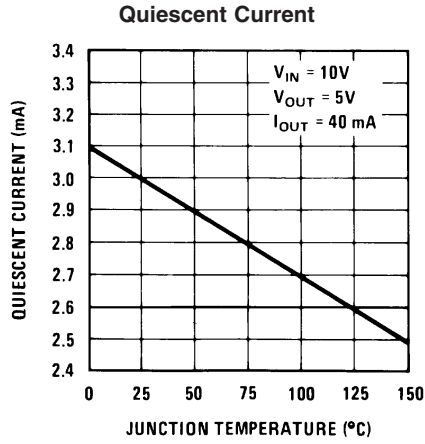
00774419

## Quiescent Current



00774420

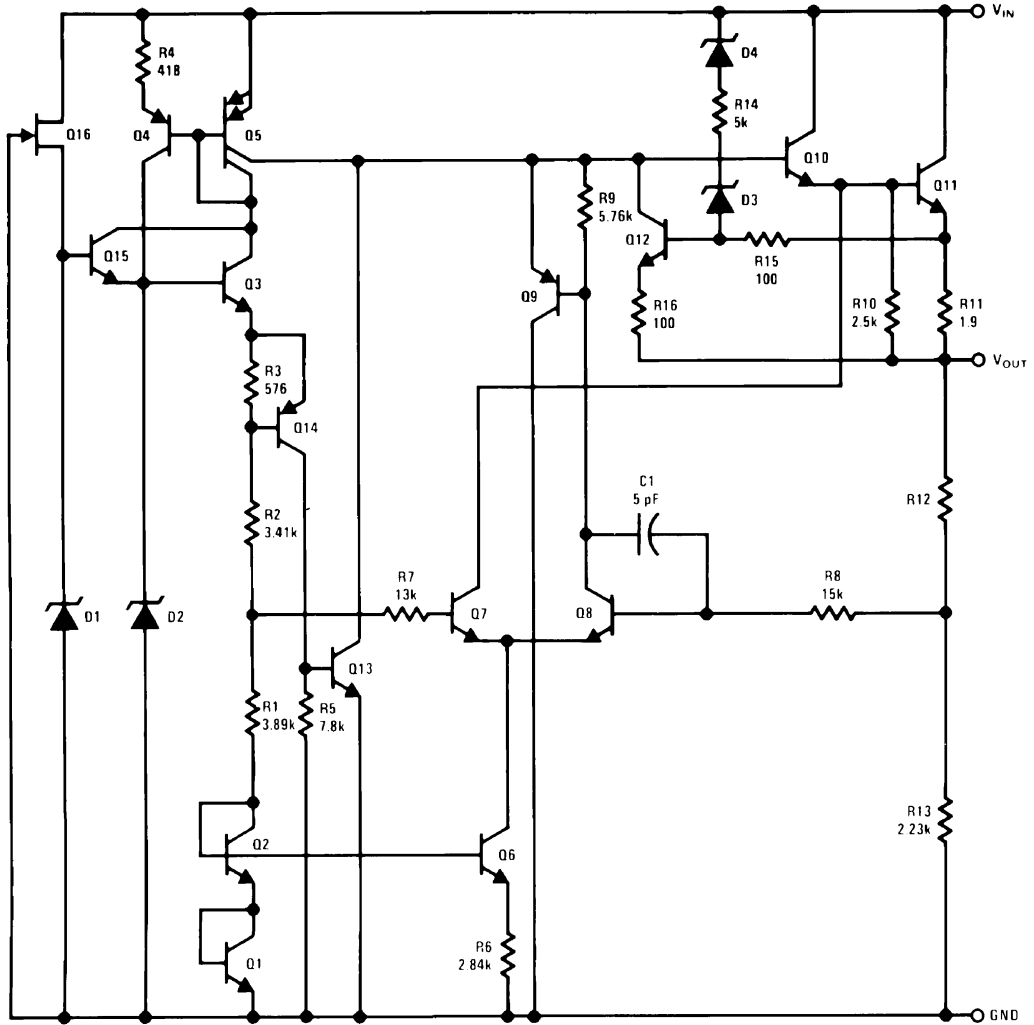
# Typical Performance Characteristics (Continued)



00774421

## Equivalent Circuit

LM78LXX

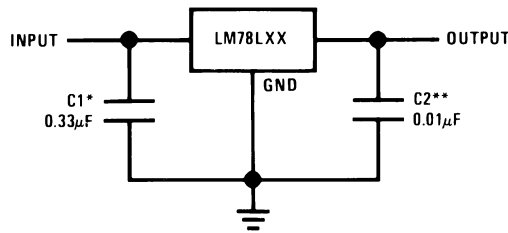


00774407



# Typical Applications

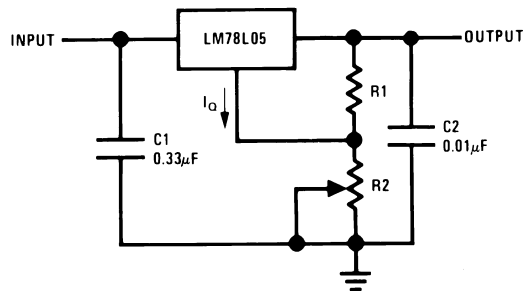
## Fixed Output Regulator



00774408

\*Required if the regulator is located more than 3" from the power supply filter.  
 \*\*See (Note 4) in the electrical characteristics table.

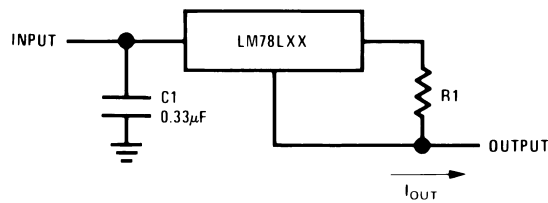
## Adjustable Output Regulator



00774409

$V_{OUT} = 5V + (5V/R1 + I_Q) R2$   
 $5V/R1 > 3 I_Q$ , load regulation  $(L_r) \approx [(R1 + R2)/R1]$  ( $L_r$  of LM78L05)

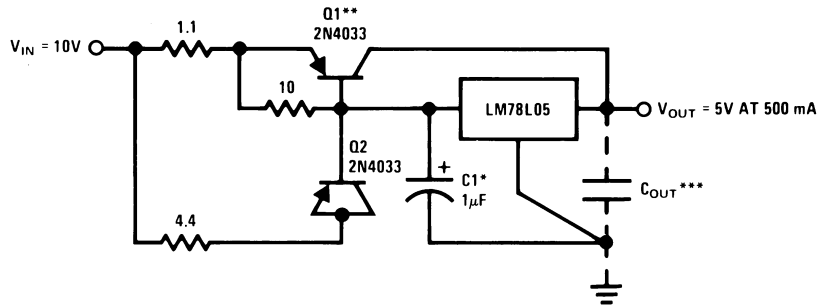
## Current Regulator



00774410

$I_{OUT} = (V_{OUT}/R1) + I_Q$   
 $>I_Q = 1.5mA$  over line and load changes

## 5V, 500mA Regulator with Short Circuit Protection

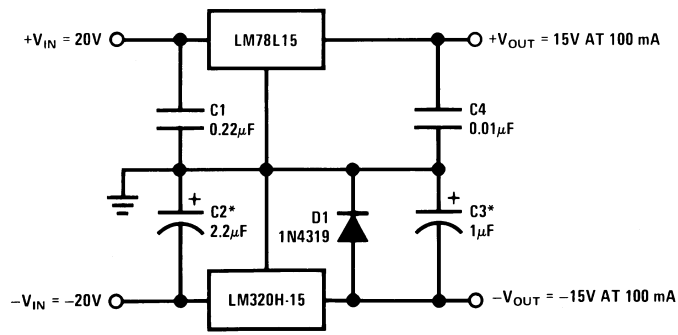


00774411

\*Solid tantalum.  
 \*\*Heat sink Q1.  
 \*\*\*Optional: Improves ripple rejection and transient response.  
 Load Regulation:  $0.6\% \leq L_r \leq 250mA$  pulsed with  $t_{ON} = 50ms$ .

Typical Applications (Continued)

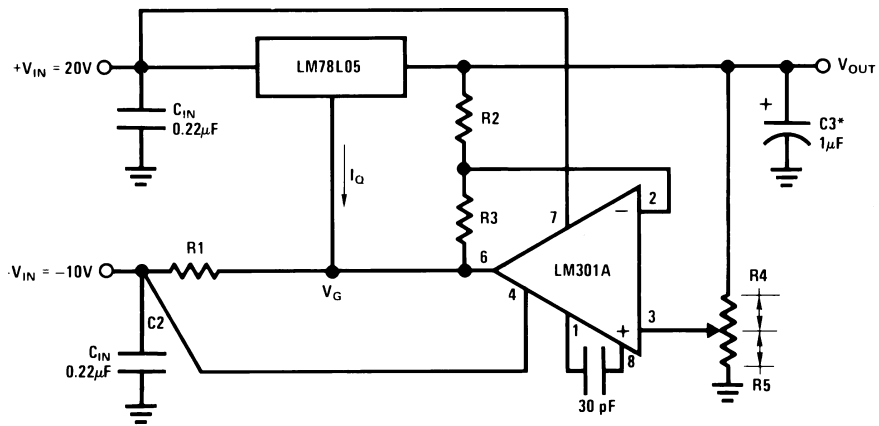
±15V, 100mA Dual Power Supply



00774412

\*Solid tantalum.

Variable Output Regulator 0.5V-18V



00774413

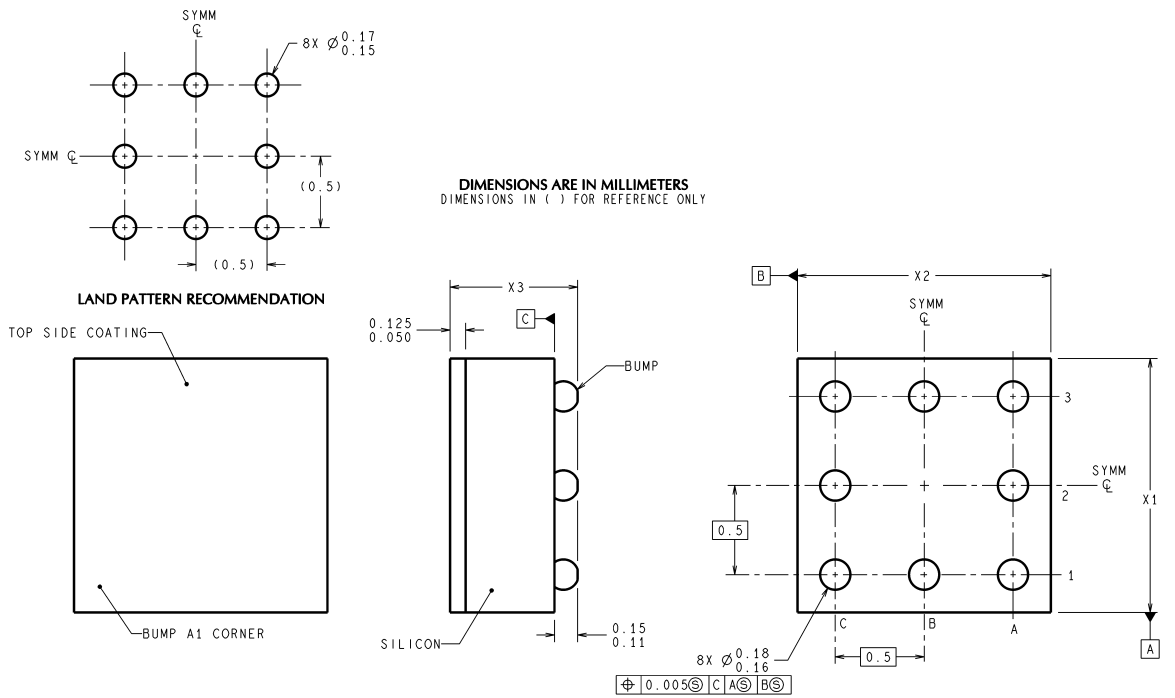
\*Solid tantalum.

$$V_{OUT} = V_G + 5V, R1 = (-V_{IN}/I_Q \text{ LM78L05})$$

$$V_{OUT} = 5V (R2/R4) \text{ for } (R2 + R3) = (R4 + R5)$$

$$\text{A 0.5V output will correspond to } (R2/R4) = 0.1 \text{ } (R3/R4) = 0.9$$

**Physical Dimensions** inches (millimeters) unless otherwise noted

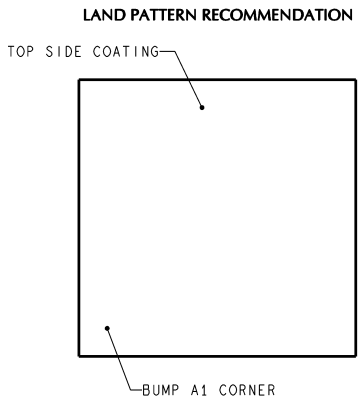
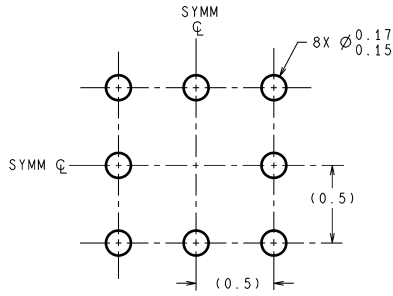


NOTES: UNLESS OTHERWISE SPECIFIED

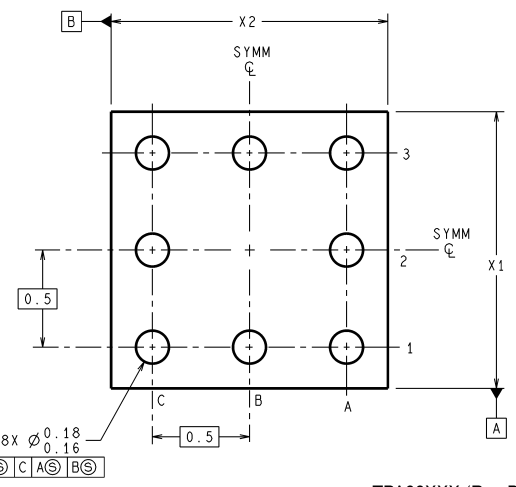
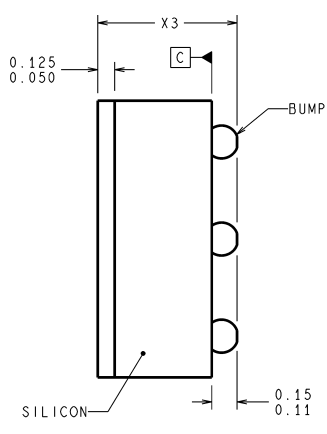
1. EPOXY COATING
2. 63Sn/37Pb EUTECTIC BUMP
3. RECOMMEND NON-SOLDER MASK DEFINED LANDING PAD.
4. PIN A1 IS ESTABLISHED BY LOWER LEFT CORNER WITH RESPECT TO TEXT ORIENTATION. REMAINING PINS ARE NUMBERED COUNTERCLOCKWISE.
5. XXX IN DRAWING NUMBER REPRESENTS PACKAGE SIZE VARIATION WHERE X<sub>1</sub> IS PACKAGE WIDTH, X<sub>2</sub> IS PACKAGE LENGTH AND X<sub>3</sub> IS PACKAGE HEIGHT.
6. REFERENCE JEDEC REGISTRATION MO-211, VARIATION BC.

**8-Bump micro SMD for LM78L05IBP Only**  
**NS Package Number BPA08AAB**  
**X1 = 1.285mm X2 = 1.285mm X3 = 0.850mm**

**Physical Dimensions** inches (millimeters) unless otherwise noted (Continued)



**DIMENSIONS ARE IN MILLIMETERS**  
DIMENSIONS IN ( ) FOR REFERENCE ONLY

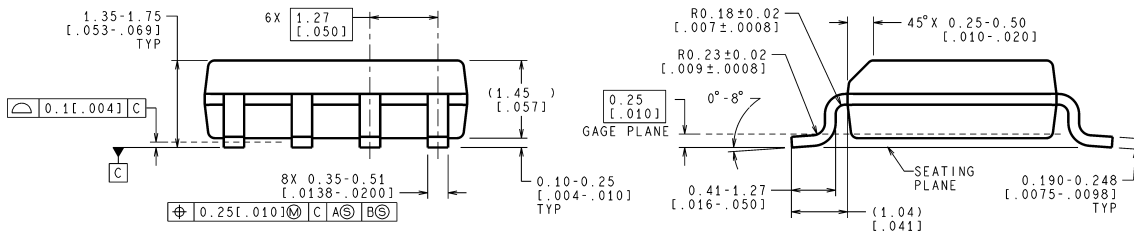
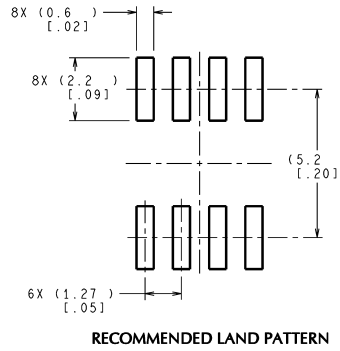
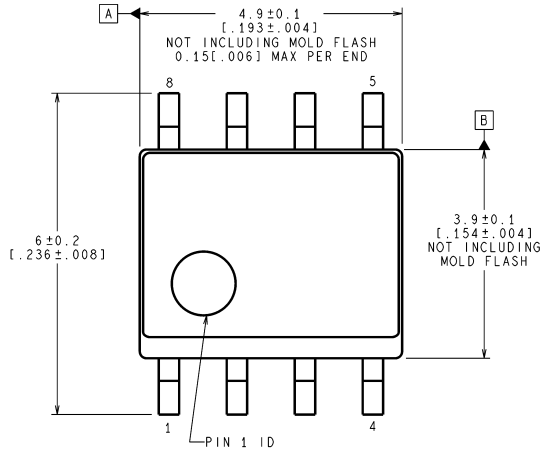


|          |       |   |   |   |
|----------|-------|---|---|---|
| $\oplus$ | 0.005 | C | A | B |
|----------|-------|---|---|---|

TPA08XXX (Rev B)

**8-Bump micro SMD for LM78L09ITP Only**  
**NS Package Number TPA08AAA**  
**X1 = 1.285mm X2 = 1.285mm X3 = 0.500mm**

**Physical Dimensions** inches (millimeters) unless otherwise noted (Continued)

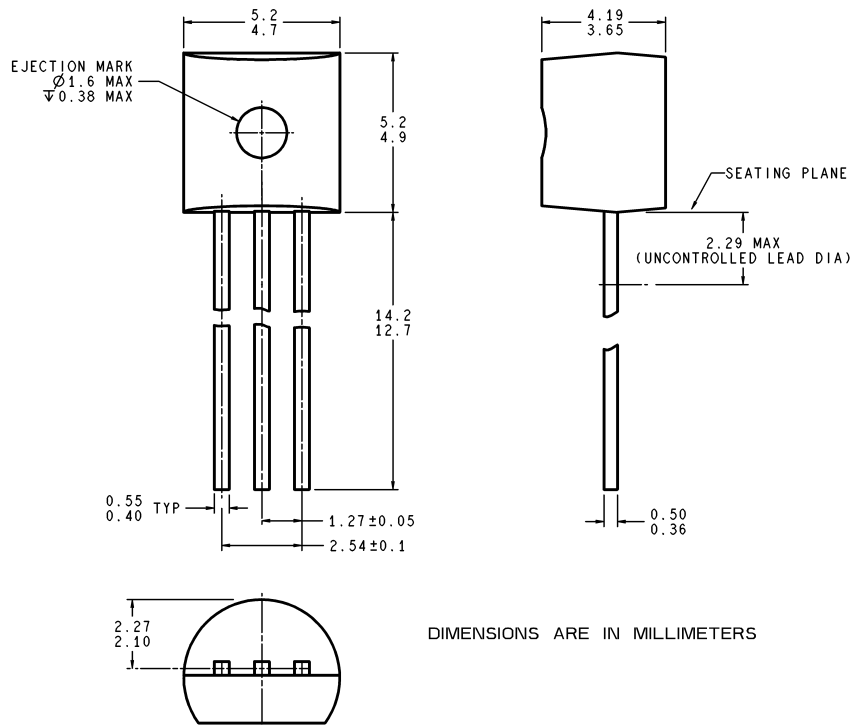


CONTROLLING DIMENSION IS MILLIMETER  
VALUES IN [ ] ARE INCHES  
DIMENSIONS IN ( ) FOR REFERENCE ONLY

M08A (Rev K)

**S.O. Package (M)**  
**NS Package Number M08A**

**Physical Dimensions** inches (millimeters) unless otherwise noted (Continued)



DIMENSIONS ARE IN MILLIMETERS

Z03A (Rev 6)

**Molded Offset TO-92 (Z)  
NS Package Number Z03A**

National does not assume any responsibility for use of any circuitry described, no circuit patent licenses are implied and National reserves the right at any time without notice to change said circuitry and specifications.

For the most current product information visit us at [www.national.com](http://www.national.com).


**LIFE SUPPORT POLICY**

NATIONAL'S PRODUCTS ARE NOT AUTHORIZED FOR USE AS CRITICAL COMPONENTS IN LIFE SUPPORT DEVICES OR SYSTEMS WITHOUT THE EXPRESS WRITTEN APPROVAL OF THE PRESIDENT AND GENERAL COUNSEL OF NATIONAL SEMICONDUCTOR CORPORATION. As used herein:

1. Life support devices or systems are devices or systems which, (a) are intended for surgical implant into the body, or (b) support or sustain life, and whose failure to perform when properly used in accordance with instructions for use provided in the labeling, can be reasonably expected to result in a significant injury to the user.
2. A critical component is any component of a life support device or system whose failure to perform can be reasonably expected to cause the failure of the life support device or system, or to affect its safety or effectiveness.

**BANNED SUBSTANCE COMPLIANCE**

National Semiconductor manufactures products and uses packing materials that meet the provisions of the Customer Products Stewardship Specification (CSP-9-111C2) and the Banned Substances and Materials of Interest Specification (CSP-9-111S2) and contain no "Banned Substances" as defined in CSP-9-111S2.

 **National Semiconductor**  
Americas Customer  
Support Center  
Email: [new.feedback@nsc.com](mailto:new.feedback@nsc.com)  
Tel: 1-800-272-9959

**National Semiconductor**  
Europe Customer Support Center  
Fax: +49 (0) 180-530 85 86  
Email: [europe.support@nsc.com](mailto:europe.support@nsc.com)  
Deutsch Tel: +49 (0) 69 9508 6208  
English Tel: +44 (0) 870 24 0 2171  
Français Tel: +33 (0) 1 41 91 8790

**National Semiconductor**  
Asia Pacific Customer  
Support Center  
Email: [ap.support@nsc.com](mailto:ap.support@nsc.com)

**National Semiconductor**  
Japan Customer Support Center  
Fax: 81-3-5639-7507  
Email: [jpn.feedback@nsc.com](mailto:jpn.feedback@nsc.com)  
Tel: 81-3-5639-7560